

MK02-ERL1-0280F

2Megapixel 1080P Water-proof HDCVI IR Bullet Camera



Features

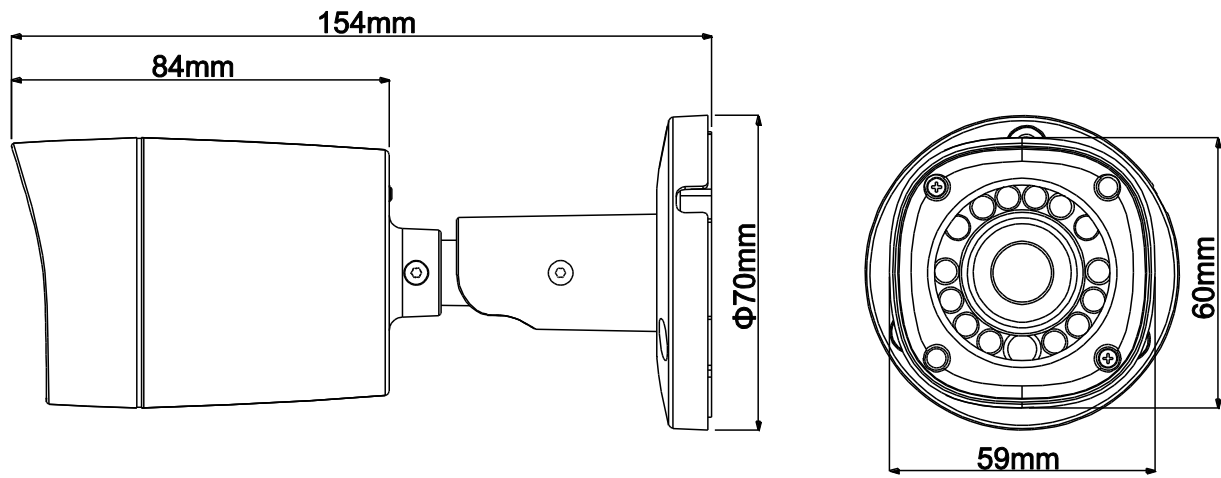
- 1/2.9" 2Megapixel CMOS
- 25/30fps@1080P, 25/30/50/60fps@720P
- High speed, long distance real-time transmission
- HD and SD switchable
- OSD Menu, control over coaxial cable
- DWDR, Day/Night(ICR), AWB, AGC, BLC, 2DNR
- 3.6mm fixed lens (2.8mm, 6mm optional)
- Max. IR LEDs length 20m, Smart IR
- IP67, DC12V

MK02-ERL1-0280F**Technical Specifications**

Model	MK02-ERL1-0280F	
Camera		
Image Sensor	1/2.9" 2Megapixel CMOS	
Effective Pixels	1936(H)×1097(V)	
Electronic Shutter	1/25~1/100000s	
Video Frame Rate	25/50fps@720P; 25fps@1080P	
Synchronization	Internal	
Mini. Illumination	0.02Lux/F2.0, 0Lux IR on	
Video Output	1-channel BNC high definition video output/ CVBS standard definition video output (Can switch)	
Camera Features		
Max. IR LEDs Length	20m, Smart IR	
Backlight Compensation	DWDR	
Day/Night	Auto(ICR) / Color / B/W	
Noise Reduction	2D	
OSD Menu	Support	
Lens		
Focal length	3.6mm (2.8mm, 6mm optional)	
Angle of View	H: 82.8° (106° /51.2°)	
Mount Type	M12	
General		
Power Supply	DC12V±25%	
Power Consumption	Max 2.8W	
Working Environment	-30°C~+60°C / Less than 95%RH (no condensation)	
Transmission Distance	Over 500m via 75-3 coaxial cable	
Ingress Protection	IP67	
Dimensions(W×D×H)	Φ70mm×154mm	
Weight	0.3kg	
Material	Metal	

MK02-ERL1-0280F

Dimensions (mm)



Accessories (optional)

